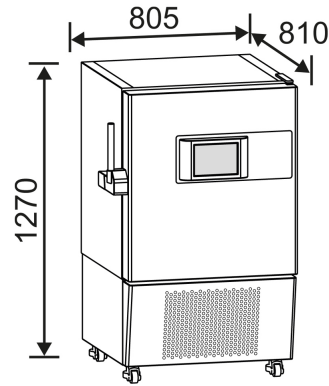


# ULF 125 W ADVANCED



Color: **White**

Panel: **ADVANCED**

- Touch control panel with 7" display and password with 3 levels of access
- Data download to USB
- Backup battery for managing alarms in case of power failure
- Audible and visual alarms
- Wi-Fi connection (upon request)

## TECHNICAL FEATURES

Product Code	AHB251T
Temperature	-50°C / -86°C
Refrigeration Type	Static
Defrost Type	Manual
Noise Level (dB(A))	79
Refrigerant Gas	R290 + R170
Climatic Class	+16°C / +28°C
Gross Capacity (liters)	135
Net Capacity (liters)	125
External Dimensions (W x D x H mm)	805 x 810 x 1270
Internal Dimensions (W x D x H mm)	465 x 490 x 550
Packaging Dimensions (W x D x H mm)	900 x 910 x 1470

## TECHNICAL FEATURES

Gross Weight (Kg)	174
Net Weight (Kg)	149

## ELECTRICAL DATA

Power Supply (V/ph/Hz)	220-230/1/50
Power Plug	Type F

## STRUCTURAL FEATURES

Structure	Upright
Insulation Thickness (mm)	130
Insulated Door	Yes
Door Lock	Yes
Insulated Inner Counter-Doors	2
Heated Door Seal	Yes
Compensation Valve	Yes
Shelves Number	1
Shelf Material	Stainless steel 18/10 AISI 304
Maximum Shelf Quantity	-

## CONTROL PANEL

Display Type	Touch 7"
Languages	ITA - ENG - FRA
Access Password	Yes
3-Level Access Password	Yes
Temperature Graph	Visible on display
Probe Type	PT1000

## CONTROL PANEL

Alarm Signaling	Acoustic and visual
Alarm Indications	Text form
Adjustable High/Low Temperature Alarm	Yes
Adjustable Door Open Alarm	Yes
Power Loss Alarm	Yes
Probe Fault Alarm	Yes
Low Battery Alarm	Yes
Dirty Condenser Alarm	Yes
Evaporator Freezing Alarm	Yes
Acoustic Alarm Silencing Options	Yes
Acoustic Alarm Reactivation	Yes
Alarm Functionality Test	Yes
Calibration	Yes
Alarm Memory	Yes
Door Openings Memory	Yes
Defrost Memory	Yes
Event Memory	Yes
Daily Min/Max Temperature Memory	Yes
Data Logger Function with USB Port	Yes
USB Port	Type B
Data and Event Storage	Yes (on internal memory)
Dry Contact	Yes
Wi-Fi Connectivity	Yes (upon request)
Monitoring App	Yes
Backup Battery for Display and Alarms	Yes
Backup Battery Autonomy for Display and Alarms (hours)	48

## ACCESSORIES

Storage rack for boxes

Box for storage rack

CO2 back-up system

Electronic door lock (available for ADVANCED control panel only)

Temperature chart recorder

Cryo gloves

GSM/GPRS telephone dialer

Voltage 230V/1ph/60Hz

Voltage 115V/1ph/60Hz

Wooden crate packing

IQ Documentation

OQ Documentation